


HBL2411 -- Twist-Lock Plug



3P4W, 20A 125/250V, L14-20P, Black & White Nylon

Product Specifications

Product Type	 <p>Twist-Lock Devices</p>
Product Item	Plug
Wiring Scheme	3 Pole, 4 Wire Grounding
Amperage	20A
Voltage	125/250V AC
NEMA Configuration	L14-20P
Item Style	Insulgrip
Device Color	Black/White
Horsepower	2 (1)
Cord Dia.	.35"-1.15" (9-29)
Blade Holder Material	Natural White Nylon
Terminal Retainer Material	Clear polycarbonate
Housing Material	Black nylon
Cord Clamp Material	Natural (white) nylon

Blade Material	Brass
Terminal Clamp Material	.08" (2) steel-nickel plated
Terminal Screw Material	#10-32 Brass (white finish on neutral screw when used) Multi-drive
Ground Screw Material	#10-32 Brass (green finish) Multi-drive
Cord Clamp Screw Material	Steel, zinc plated Multi-drive
Body Holding Screw Material	Steel, zinc plated Multi-drive
Ratings	Molded into face.
Catalog No.	Permanently ink marked on body.
Dielectric Voltage Withstand	2,000V minimum.
Current Interrupting	Certified for current interrupting at full rated current.
Temperature Rise	Max 30 C temperature rise at full rated current after 50 cycles of overload at 150% of rated current at a power factor of .75.
Cord Accommodation	Round portable service cords of diameters commensurate with the device rating as defined in UL Standard 62, CSA C22.2 No. 49.
Terminal Accommodation	20A #12 AWG
Terminal Identification	Terminals identified in accordance with UL 498 (X, Y, Z, White, Green)
Flammability	HB or better per UL 94 or CSA 22.2 No. 0.6
Operating Temperatures	Maximum Continuous 75 C Minimum -40 C (w/o impact)
Moisture Resistance	IP20
Listings	FED SPEC UL/CSA
Feature Info	Black and white nylon.
Catalog Page	Click here for catalog page B37
Brochures	Click here for product brochure
Hubbellnet	Click here for Hubbellnet
Catalog Section	Click here for Section-B
UPC Number	78358503813
Weight in LBs	0.2



NEMA L14-20P
20A 125/250V AC
UL/CSA
2 (1) HP

NEMA
Configuration



TWIST-LOCK® Devices

3 Pole, 4 Wire Grounding

20 Ampere, 125/250 Volts, 3Ø 250 and 3Ø 480 Volts AC

Receptacles, INSULGRIP® Connector Bodies, Flanged Devices and Plugs



NEMA L14-20R
20A 125/250V AC
UL/CSA
2 (1) HP



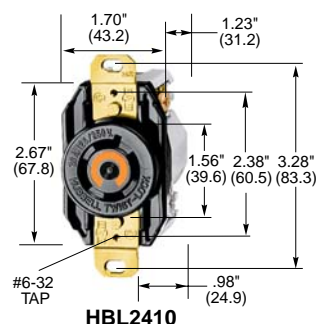
NEMA L15-20R
20A 3Ø 250V AC
UL/CSA
3 HP



NEMA L16-20R
20A 3Ø 480V AC
UL/CSA
5 HP

Single Flush Receptacles, Back and Side Wired

Description	Catalog Numbers		
Black nylon face.	HBL2410	HBL2420	HBL2430
Isolated ground, orange nylon face.	IG2410	IG2420	-



Insulgrip Connector Bodies IP20 SUITABILITY

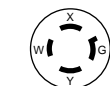
Description	Catalog Numbers		
Black and white nylon.	HBL2413	HBL2423	HBL2433
Corrosion resistant, yellow nylon.	HBL24CM13	HBL24CM23	HBL24CM33

Note: Cord clamp range .35"-1.15" (9-29).



Insulgrip Flanged Receptacles

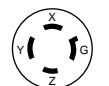
Description	Catalog Numbers		
Nylon casing, back wired.	HBL2416	HBL2426	HBL2436



NEMA L14-20P
20A 125/250V AC
UL/CSA
2 (1) HP



NEMA L15-20P
20A 3Ø 250V AC
UL/CSA
3 HP



NEMA L16-20P
20A 3Ø 480V AC
UL/CSA
5 HP

Insulgrip Plugs IP20 SUITABILITY

Description	Catalog Numbers		
Black and white nylon.	HBL2411	HBL2421	HBL2431
Corrosion resistant, yellow nylon.	HBL24CM11	HBL24CM21	HBL24CM31

Notes: Cord clamp range .35"-1.15" (9-29).
See page B-73 for Add-A-Shroud™ kit.



Insulgrip Flanged Inlets

Description	Catalog Numbers		
Nylon casing, back wired.	HBL2415	HBL2425	HBL2435

Notes: All HP ratings are AC only.
HP ratings not in parentheses are phase to phase.
HP rating in parentheses is phase to neutral.
Only receptacles and plugs are HP rated.
See pages B-70 and B-71 for accessories.
For technical information see page B-83.
See page B-63 for switched enclosure.

